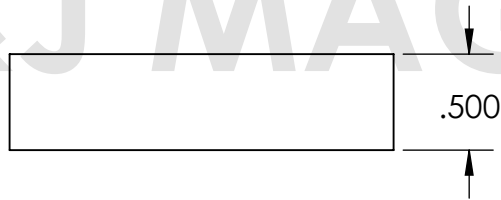
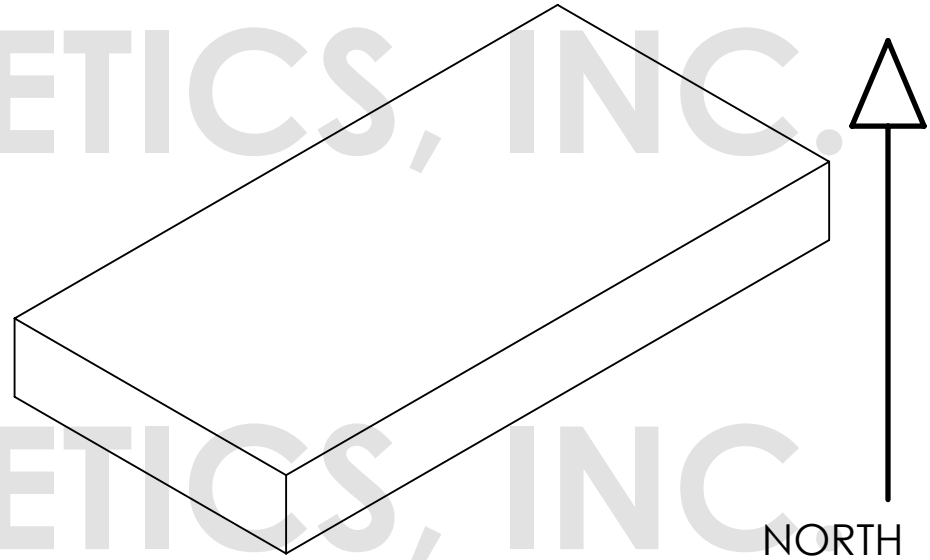
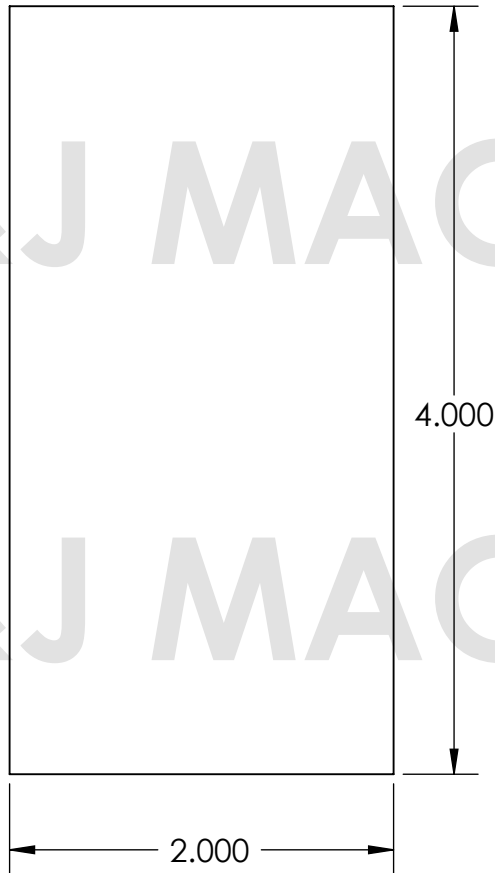


K&J MAGNETICS, INC.

K&J MAGNETICS, INC.

K&J MAGNETICS, INC.



UNLESS OTHERWISE SPECIFIED, DIMENSIONS ARE IN INCHES		K&J Magnetics, Inc.		
TOLERANCES: FRACTIONAL ± 0.030 ANGULAR: $\pm 0.5^\circ$ TWO PLACE DECIMAL ± 0.010 THREE PLACE DECIMAL ± 0.005		TITLE: BLOCK MAGNET		
MATERIAL	SEE PRODUCT PAGE	SIZE A	DWG. NO. BZX0Y08	REV 0
FINISH	SEE PRODUCT PAGE	SCALE: 1:1	DO NOT SCALE DRAWING	SHEET 1 OF 1

PROPRIETARY AND CONFIDENTIAL: THE INFORMATION CONTAINED IN THIS DRAWING IS THE SOLE PROPERTY OF K&J MAGNETICS, INC. ANY REPRODUCTION IN PART OR AS A WHOLE WITHOUT THE WRITTEN PERMISSION OF K&J MAGNETICS, INC. IS PROHIBITED.