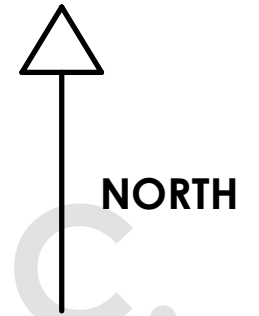
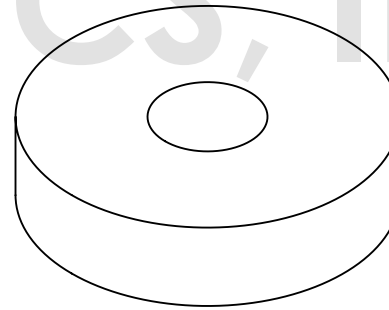
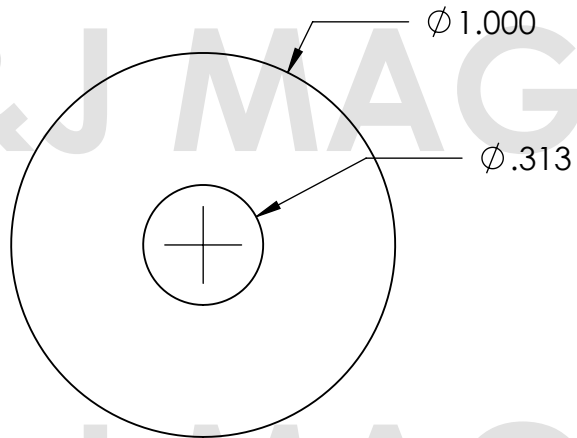
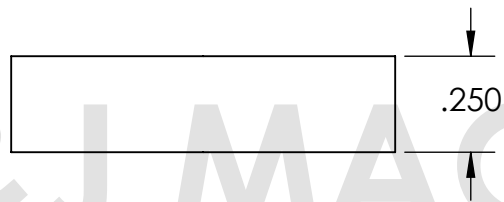


K&J MAGNETICS, INC.



K&J MAGNETICS, INC.



K&J MAGNETICS, INC.

UNLESS OTHERWISE SPECIFIED, DIMENSIONS ARE IN INCHES	K&J Magnetics, Inc.		
	TITLE: RING MAGNET		
TOLERANCES: FRACTIONAL ± 0.030 ANGULAR: $\pm 0.5^\circ$ TWO PLACE DECIMAL ± 0.010 THREE PLACE DECIMAL ± 0.005	SIZE A	DWG. NO. RX054	REV 0
MATERIAL SEE PRODUCT PAGE	SCALE: 2:1		DO NOT SCALE DRAWING
FINISH SEE PRODUCT PAGE			SHEET 1 OF 1

PROPRIETARY AND CONFIDENTIAL: THE INFORMATION CONTAINED IN THIS DRAWING IS THE SOLE PROPERTY OF K&J MAGNETICS, INC. ANY REPRODUCTION IN PART OR AS A WHOLE WITHOUT THE WRITTEN PERMISSION OF K&J MAGNETICS, INC. IS PROHIBITED.